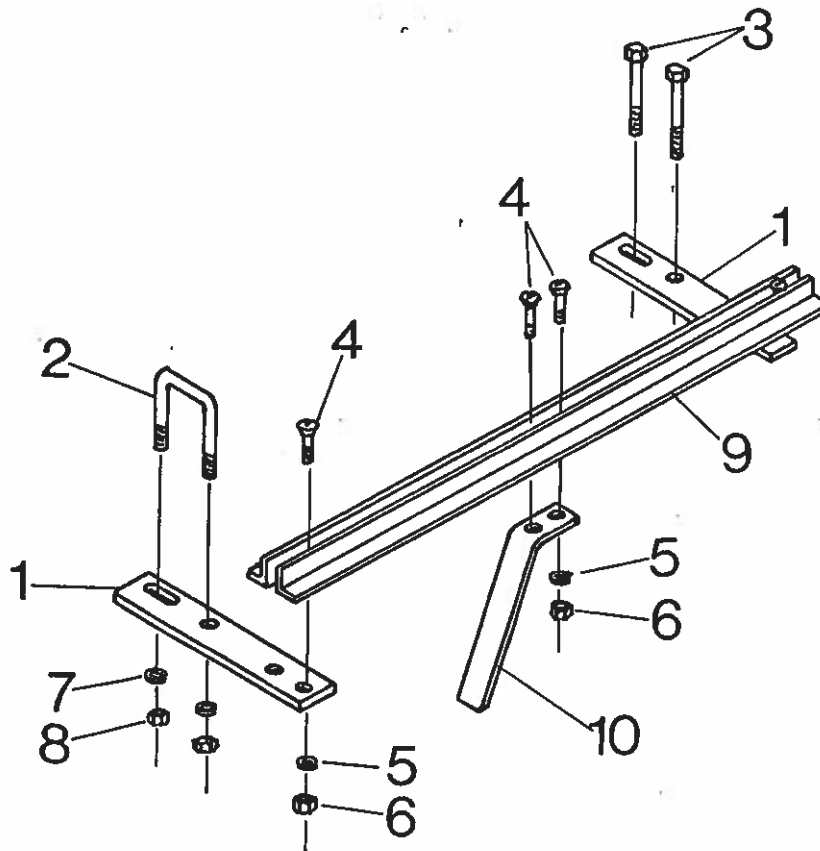


HEAVY SCRAPER KIT

REF #	PART #	DESCRIPTION	REF #	PART #	DESCRIPTION
1	11056	SCRAPER BAR MOUNTING BRACKET (5X7 GB)(63 & 99)	15	11081	SCRAPER BLADE
	12890	SCRAPER BAR MOUNTING BRACKET(5X3,6X4 GB) FOR FW,38,& 42 SERIES	16	11065	OUTRIGGER SCRAPER BLADE
	12891	SCRAPER BAR MOUNTING BRACKET(3X3 LONG,3X4,4X4)FOR TW6,TW5, & 4W	17	11027	ARM & BLADE ASSY RT. FRONT/ LEFT REAR WITH 11051 ARM
	12892	SCRAPER BAR MOUNTING BRACKET(2X3,3X3 SHORT) FOR LIFT MODELS, TW5		11028	ARM & BLADE ASSY LEFT FRONT/ RT REAR WITH 11051 ARM
2	11057	CLAMP PLATE FOR 5X7 GB		12180	ARM & BLADE ASSY WITH 9333 ARM
	12893	CLAMP PLATE (5X3,6X4 GB)		T-8023	ARM & BLADE ASSY RT FRONT/ LEFT REAR FOR LIFT HARROWS
	12894	CLAMP PLATE(3X3,3X4,4X4)		T-8024	ARM & BLADE ASSY LEFT FRONT / RT REAR FOR LIFT HARROWS
3	T-745	HEX BOLT 5/8" X 5" GR2 (3X3,3X4,5X3 GANG BEAM)		11084	ARM &BLADE ASSY RT FRONT / LEFT REAR FOR HT, W/ 11067 ARM
	T-747	HEX BOLT 5/8" X 6" GR2 (6X4,4X4 GANG BEAM)		11085	ARM & BLADE ASSY LEFT FRONT / RT.REAR FOR HT, W/ 11067 ARM
4	T-24	LOCKWASHER, 5/8"		9461	ARM & BLADE ASSY RT FRONT / LEFT REAR (63 & 99) W/ 9042 ARM
5	T-22	HEX NUT, 5/8"		9462	ARM & BLADE ASSY LEFT FRONT / RT REAR (63 & 99) W/ 9042 ARM
6	11082	HEX BOLT, 1/2" X 2 1/2" GR2	19	9333	SCRAPER ARM, (TDP)
7	9226	FLANGE LOCK NUT, 1/2"	20	9042	SCRAPER ARM,(99 & 63)
8	T-733	HEX BOLT, 1/2" X 1 1/2" GR2	21	11067	SCRAPER ARM, (HT)
9	T-25	LOCKWASHER, 1/2"			
10	T-26	HEX NUT 1/2"			
11	T-803	CLAMP, 1 HOLE			
12	9356	CLAMP, 2 HOLE			
13		HEAVY SCRAPER BAR (SEE CHART ON PAGE 104)			
14	10151	SCRAPER ARM (TW5, TW6,HW,FW,TXH,HL, T4X, 38 & 42 SERIES)			



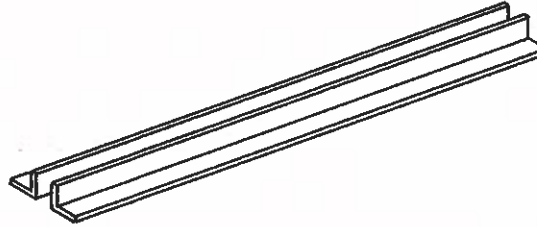
**REGULAR SCRAPER KIT (RSK)
FOR MODELS WITH BF OR PB HANGERS**

<u>REF. NO.</u>	<u>PART NO.</u>	<u>DESCRIPTION</u>
1.	12888	Straight Scraper Bar Mounting Bracket for 2 x 2 Gang Beam
	12889	Straight Scraper Bar Mounting Bracket for 2 x 3 & 3 x 3 Gang Beam
2.	11138	U-Bolt, 1/2" for 2 x 2 Gang Beam, all models
	11139	U-Bolt, 5/8" for 3 x 3 Gang Beam, BF models only
	12028	U-Bolt, 5/8" for 2 x 3 Gang Beam, BF models only
3.	T-746	Hex Bolt, 5/8" x 5 1/2" Gr. 2 for 3 x 3 Gang Beam, PB models only
	T-744	Hex Bolt, 5/8" x 4 1/2" Gr. 2 for 2 x 3 Gang Beam, PB models only
4.	T-805	Carriage Bolt, 1/2" x 2" Gr.2
5.	T-25	Lockwasher, 1/2"
6.	T-26	Hex Nut, 1/2"
7.	T-24	Lockwasher, 5/8"
8.	T-22	Hex Nut, 5/8"
9.		Scraper Bar (Specify Size)
10.	T-265	Regular Scraper Blade

SCRAPER BARS

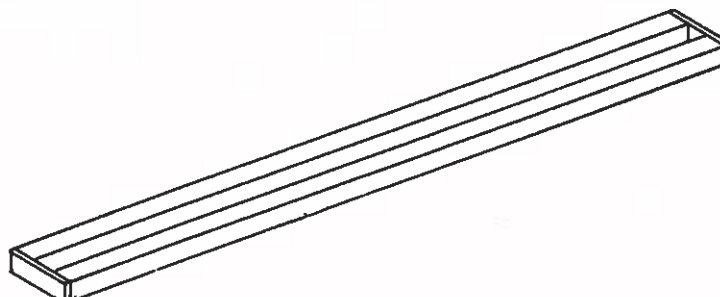
REGULAR SCRAPER BARS

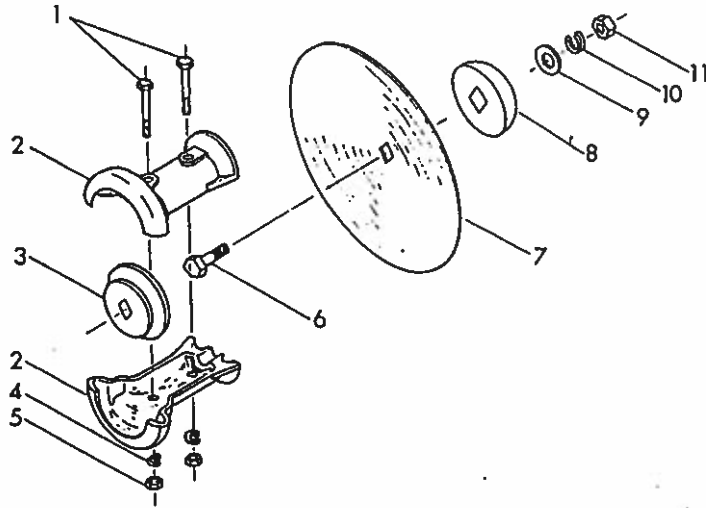
PART #	LENGTH
T-259	23"
T-260	27"
12307	33"
12308	41"
12309	53"
T-264	55"



HEAVY SCRAPER BARS

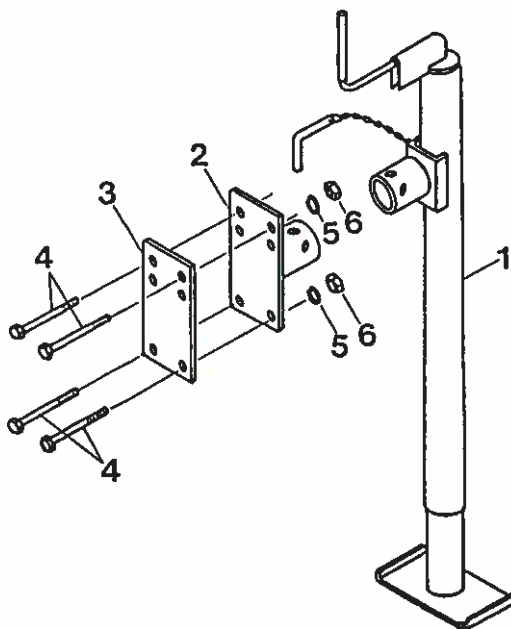
PART #	LENGTH	PART #	LENGTH	PART #	LENGTH
12336	23"	T-2621	58"	12466	86"
12337	27"	12462	59"	12468	89"
T-2611	28"	T-2631	60"	T-2647	90"
11737	31"	12346	61"	11732	91"
T-261	33"	T-2644	63"	T-2648	94"
T-2601	36"	12347	64"	11657	95"
12338	37"	T-2531	66"	T-2649	99"
12339	38"	12463	68"	T-2650	105"
12340	39"	T-2561	69"	T-2651	115"
11738	40"	11712	72"	11658	116"
T-262	41"	T-2581	73"	11713	117"
12341	42"	11656	74"	11714	135"
T-2551	43"	12464	75"	T-2652	136"
11729	45"	12348	77"	11659	137"
12342	46"	T-2635	78"	11715	153"
11739	48"	12465	79"	11685	158"
12343	49"	T-2641	80"	13239	171"
12461	50"	T-2645	81"	13240	179"
T-2571	51"	11731	82"	13241	189"
11730	54"	T-2646	84"	13242	200"
12344	55"	12467	85"	13243	207"
12345	57"				





OUTRIGGER ASSEMBLY

REF #	PART #	DESCRIPTION	REF #	PART #	DESCRIPTION
1	T-737	HEX BOLT 1/2" X 3 1/2" GR2	8	T-1	END WASHER, 1 1/8"
2	T-OR2	OUTRIGGER SPACER HALF	9	T-723	FLATWASHER, 3/4"
3	T-OR1	OUTRIGGERWASHER 1 1/8"	10	T-31	LOCKWASHER 3/4"
	T-OR15	OUTRIGGERWASHER 1 1/2"	11	T-27	HEX NUT, 3/4"
4	T-25	LOCKWASHER 1/2"	1,2,4-6, 8-11	T-703	OUTRIGGER ASSY, LESS BLADES
5	T-26	HEX NUT 1/2"			
6	11922	HEX BOLT 3/4" X 3 1/2" GR2			
7		DISC BLADE (SEE PAGE 65)			



TONGUE JACK

REF. #	PART #	DESCRIPTION
1	T-930	TONGUE JACK
2	12175	MOUNTING BRACKET
3	13374	CLAMP PLATE
4	9224	HEX BOLT 1/2" X 4 1/2 GR. 5 (TW5)
	T-735	HEX BOLT 1/2" X 5 1/2' GR2 (TW6, HW, 38 & 42 SERIES)
5	T-25	LOCKWASHER, 1/2"
6	T-26	HEX NUT, 1/2"
1-6	T-933	TONGUE JACK ASSY